

# BRUKSANVISNING INSTRUCTION MANUAL GULVOVN 2000W 2.0

# J&EL

220~240V~,50/60Hz



Konvektorovn i unikt design.  
Mekanisk termostat for enkel betjening.  
Med overopphetingsbeskyttelse og veltesikring.  
For frittstående bruk. Kun til innendørs bruk.

Convectector in unique design.  
Mechanical thermostat for simple operation.  
With over-heat protection and tip-over switch.  
For stand use. For indoor use.

Effekt: 750W/2000W  
Spennning: 220~240V~,50/60Hz  
Inkludert 1,7 meter kabel

Power: 750W/2000W  
Voltage: 220~240V~,50/60Hz  
Include 1.7m power cord.

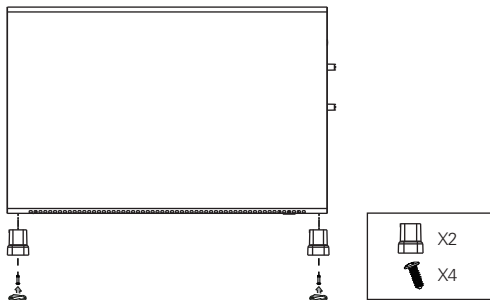
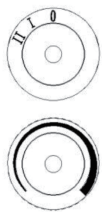


FIG. 1



HEAT CONTROL SWITCH  
The control switch positions are:  
0 - Off  
I - Low Heat  
II - High Heat  
Adjustable Control  
thermostat different temperature

## MONTERING AV OVNEN / ASSEMBLY OF THE HEATER FIG. 1

Monter føttene før du tar i bruk ovnen.

1. Legg ovnen på siden.
2. Fest hver fot med to skruer.

Mount the feet before positioning the device.

1. Place the device on its side.
2. Fasten each foot with two screws.

**Always choose a safe location for the heater, keeping in mind the safety precautions outlined. Ensure all packaging has been removed from the unit before use. This appliance requires no installation, it should be used solely as a portable appliance.**

**WARNING:** Keep all objects at least 1 metre from the front, sides and rear of the appliance.

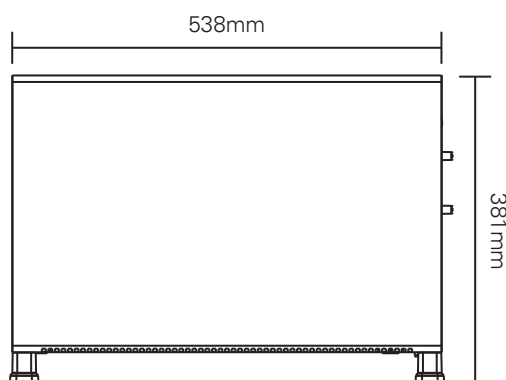
**WARNING:** In order to avoid overheating, do not cover the heater.

**WARNING:** Never leave this heater unattended.

**WARNING:** Take care in positioning your heater, using the Timer will mean the heater will come on automatically. Fire may result if placed next to combustible material.

**Note: When the appliance is turned on for the first time, it may release a slight, odour or smoke. This odour or smoke is a normal occurrence caused by the initial heating of the internal heating elements and should not occur again.**

## MÅL / MEASURES



**MÅ IKKE TILDEKKES/  
DO NOT COVER**

## SIKKERHET / SAFETY

Må ikke tildekkes, ovnens overflate kan bli svært varm og må plasseres i trygg avstand fra brennbart materiale. Koble fra strømmen ved vedlikehold. Ved bruk av skjøteledning må den være kortest mulig og være utstrakt når ovnen er på.

Do not cover the heater surface, the heater can become very hot and must be placed at a safe distance from flammable material. Disconnect power during maintenance. If using an extension cord it must be as short as possible and be extended when the oven is on.

Information requirement for the electric local space heaters

Model identifier(s): 54003 / C04-FM20A					
Item	Symbol	Value	Unit	Item	Unit
<b>Heat output</b>				<b>Type of heat input, for electric storage local space heaters only (select one)</b>	
Nominal heat output	P <sub>nom</sub>	2000 KW		manual heat charge control, with integrated thermostat	Not applicable
Minimum heat output(indicative)	P <sub>min</sub>	750 KW		manual heat charge control with room and/or outdoor temperature feedback	Not applicable
Maximum continuous heat output	P <sub>max.c</sub>	2000 KW		electronic heat charge control with room and/or outdoor temperature feedback	Not applicable
<b>Auxiliary electricity consumption</b>				fan assisted heat output	Not applicable
At nominal heat output	el max	Not applicable	KW	<b>Type of heat output/room temperature control (select one)</b>	
At minimum heat output	el min	Not applicable	KW	single stage heat output and no room temperature control	No
In standby mode	el sb	Not applicable	KW	Two or more manual stages, no room temperature control	No
				with mechanic thermostat room temperature control	Yes
				with electronic room temperature control	No
				electronic room temperature control plus day timer	No
				electronic room temperature control plus week timer	No
				<b>Other control options (multiple selections possible)</b>	
				room temperature control, with presence detection	No
				room temperature control, with open window detection	No
				with distance control option	No
				with adaptive start control	No
				with working time limitation	No
				with black bulb sensor	No
Contact details		NAMRON AS Nedre kalbakkvei 88B N1081 Oslo Norway			